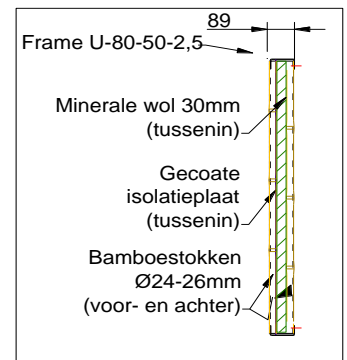
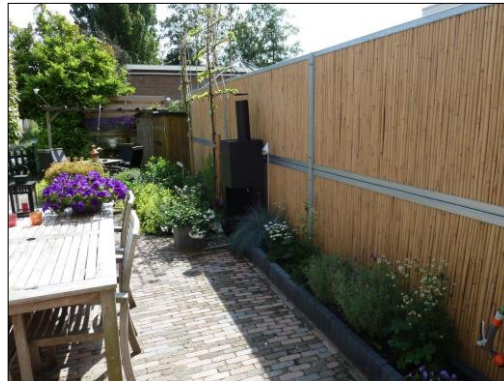


Technical Specifications of parts & materials Bamboo Wall SA80_A2



Dimensions and pattern Bamboo-Wall SA-80 Noise Barrier:

- Standard pattern: $b_{\text{pattern, stand.}}$ = panelwidth: 2.490mm (post distance 2.500mm)
- Any other size smaller than 2,49 can be supplied.
- Standard height element: h_{stan} = 1m or 1,5m
- Maximum height: h_{max} = 3m from ground level (2 x 1,5m stacked panels)
- Maximum panelheight: $h_{\text{panel, max}}$ = 1,5m
- With a Bamboo-Wall noise barrier higher than 1.25m relative to at ground level, the height is divided into 2 of more panels which are stacked.

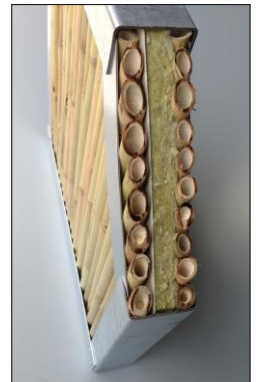
Steel Construction:

- Style of Foundation column:
- Taking into account the barrier's height, IPE80, IPE100, IPE120, are applicable - S235 hot-dip galvanised (EN1461) with pre drilled mounting holes, diameter 8 mm and panelsupport.
- Optionally two layer powder coated in any desired standard RAL colour (additional cost)

Noise Barrier panels type Bamboo-Wall SA-80:

- Framework made of cold-rolled U-50-80-50-2,5 profile S235, Magnelis gelavanised steel ZM310, quality standard DIN 17100.
- Frame optionally powder coated in any desired standard RAL colour (additional cost)
- Sound insulation, single number descriptor reading - NEN-EN-ISO-717-1: **Rw= 25dB(a)**. See attachment TNO Sound Insulation reading.
- Level reduction through absorption $DL_a = 6\text{dB (a)}$ measured according to NEN-EN-ISO-717-1 in category A2 sound absorption EN1793-2. See appendix Peutz sound absorption measurement
- Application of $\varnothing 24\text{-}26\text{mm}$ bamboo sticks ± 41 pcs. / m² per side, with a coated steel plate and a layer of 30mm mineral wol in between.
- Mass of panels: 35-37 kg/m² depending on size
- Dimensions panels: Standard IPE:

Standard panel:		= 2.490 x 1.000mm
Allowable placement tolerance:	$T_{\text{pl, paneel}}$	= 5-10mm (in relation to B_{pattern})
Maximum height panel:	$h_{\text{panel, max}}$	= 1.500mm



Concrete gravelboard:

- Positioned under the panels for support, for limited slopes or for obtaining correct height. Enforced with 2 x concrete iron wire $\varnothing 8\text{mm}$
- Dimensions Standard 249 x 19 x 8,5cm (can easily be cut with a grinder to desirable size) or 200 x 19 x 8,5cm

Joint materials:

- Attachment panels, per item:
 - 6 x self-tapping hexagon shoulder screw ST.6,3 x 38 mm - DIN 7405K
- Self adhesive expanding rubber 15/3mm between stacked panels

Bamboo:

- Application of $\varnothing 16\text{-}18\text{mm}$ bamboo sticks.
- The bamboo sticks will, over time, by different weather influences, becoming slightly duller and lighter in color. Also can they will split vertically over time. Keep the screens however their natural appearance. You can change the screens if you wish treat with a clear coat to give the bamboo sticks extra protection and restore the old color and luster.